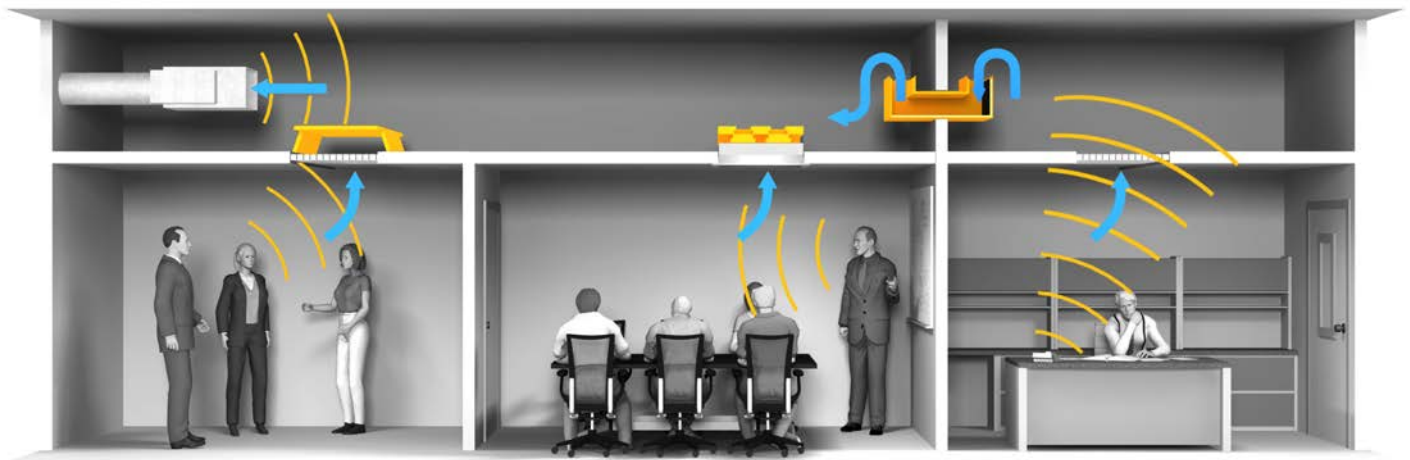




Air Transfer Silencers

**PRICE**<sup>®</sup>

[www.priceindustries.com](http://www.priceindustries.com)



# Air Transfer Silencers

Price offers the widest selection of air transfer silencers in the industry. These lab-tested products help to improve speech privacy between spaces and reduce noise flanking paths.

### Combustion Rating:

- Flame < 25
- Smoke < 50

### Materials:

- Galvanized Steel
- Satin Coat / Galvannealed
- Stainless Steel (304, 316)
- Aluminum

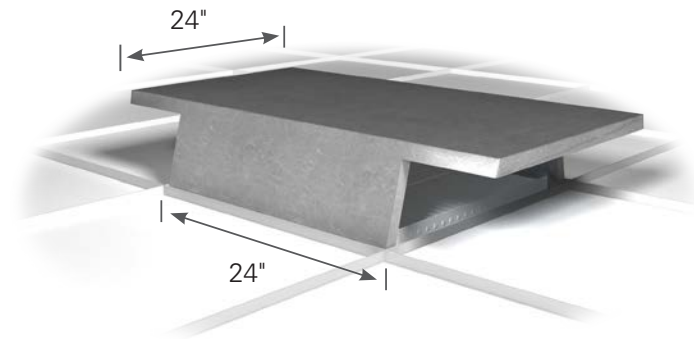
### Liner types:

- Fiberglass
- Fiber free foam
- Aluminum lined
- Polymer film lined
- Fiberglass cloth

### Performance Data:

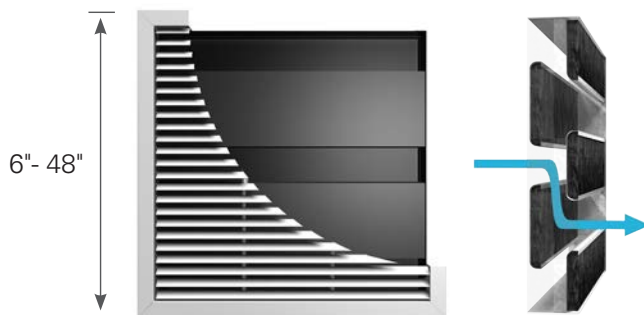
Model Type	Noise Reduction (dB)						
	63 Hz	125 Hz	250 Hz	500 Hz	1000 Hz	2000 Hz	4000 Hz
RAC	8	10	11	12	20	20	22
TLRD	8	8	9	10	15	20	16
TLRD-LP	8	9	10	14	20	24	22
TLRD-LP-T	8	10	11	12	15	18	17
XTL, XTZ, XTU - Fiberglass	13	11	17	28	39	40	32
XTL, XTZ, XTU - Fiber Free Foam	15	9	10	10	17	26	30
XTL, XTZ, XTU - Aluminum Foil Liner	13	10	12	27	36	28	26

## Models Available:



### Return Air Canopy (RAC):

- Lowest cost
- Easy installation
- Fits standard return grille sizes
- Ceiling applications



### Thin Line Return Dissipaters (TLRD shown):

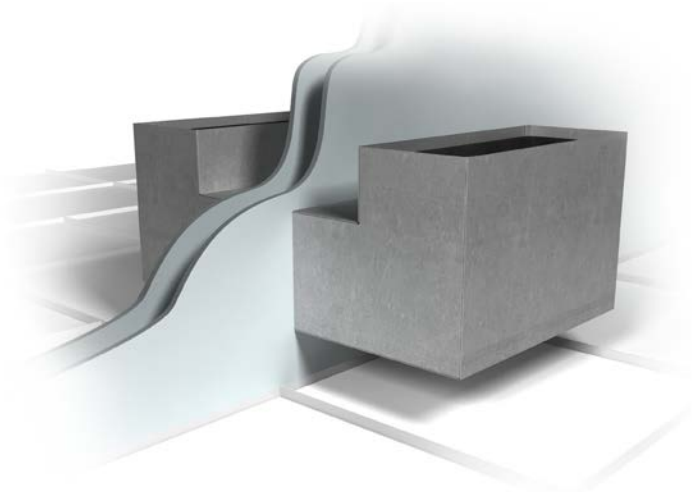
- 3 design options
- Easy installation
- Ceiling and wall applications

#### TLRD:

- Suitable as return grille accessory
- Extended sleeve for easy installation
- Lightweight and compact

#### TLRD-LP (-T):

- Lower pressure drop
- Available with fiberglass cloth or polymer film



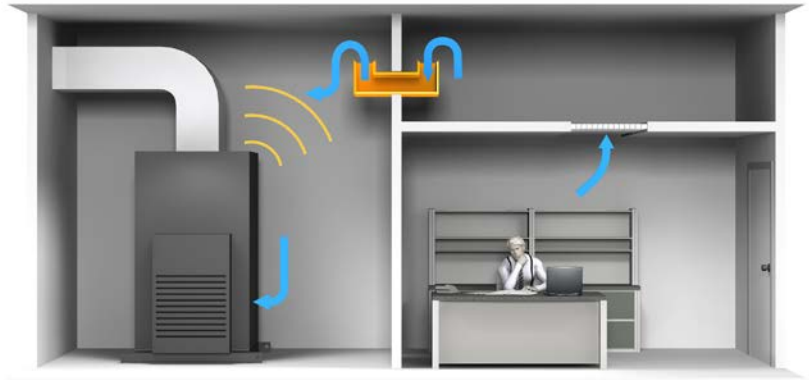
### Cross Talk (XTU shown, XTL, XTZ):

- High noise reduction option
- Shaft, ceiling & wall applications
- 3 design geometries
- Aluminum foil liner and fiber free foam available

## Common Applications

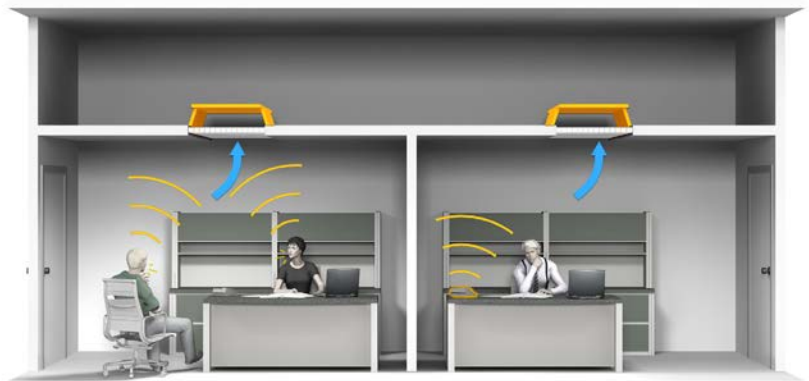
### Air Transfer

- Maintain STC rating for wall assembly while allowing transfer air flow.



### Speech Privacy

- Improve occupant speech privacy between spaces while allowing for air flow.



### Vent shafts

- Reduce occupant noise flanking through common riser assemblies.



For additional information, please contact [noisecontrol@priceindustries.com](mailto:noisecontrol@priceindustries.com)

**Product Improvement** is a continuing endeavour at Price. Therefore, specifications are subject to change without notice. Consult your Price Sales Representative for current specifications or more detailed information. Not all products may be available in all geographic areas.

All goods described in this brochure are warranted as described in the Limited Warranty shown at the web site [www.priceindustries.com](http://www.priceindustries.com).

The Price catalog is available online at [www.priceindustries.com](http://www.priceindustries.com)