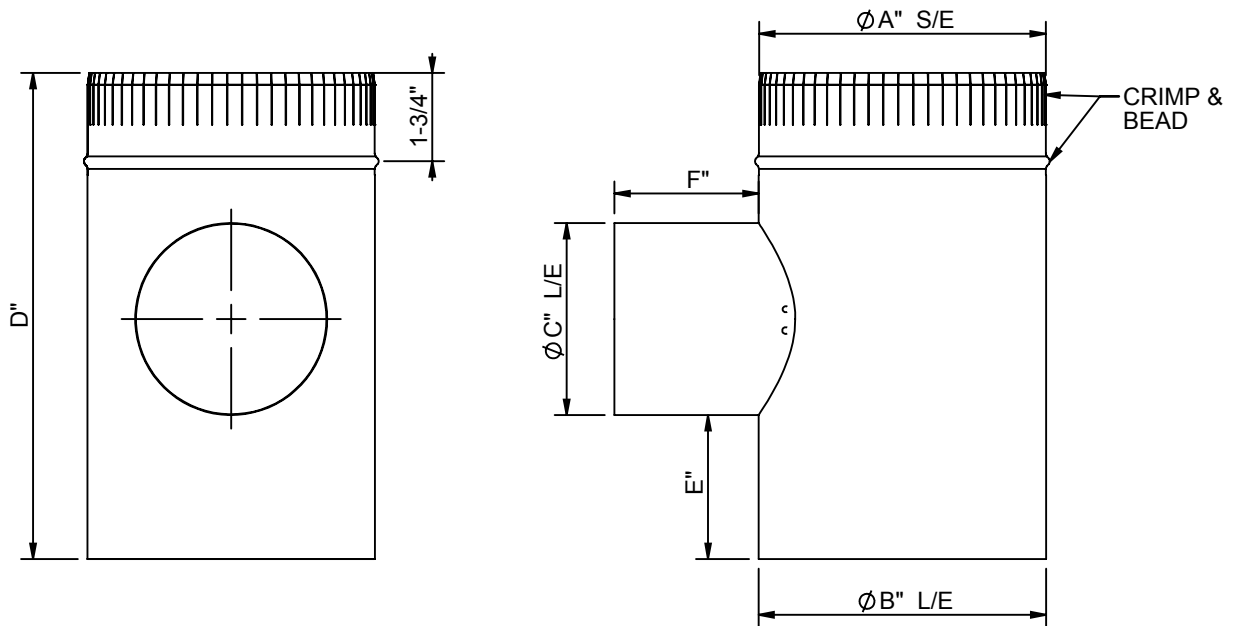
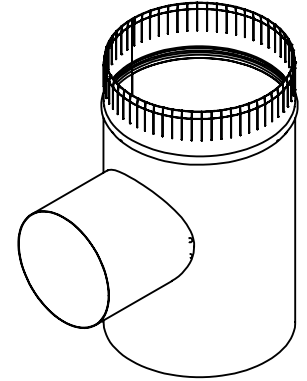




TEE - GALVANIZED 24GA



MATERIAL: GALVANIZED

SPECIFICATIONS

Pg. 1 of 1

STOCK #	DESCRIPTION	DIMENSIONS (in)					
		A	B	C	D	E	F
135692	6X6X6 TEE GALV 24GA	6	6	6	10 1/2	2 1/4	2 1/2
135710	7X7X7 TEE GALV 24GA	7	7	7	11 1/2	2 1/4	2 1/2
136020	8X8X8 TEE GALV 24GA	8	8	8	13	2	2 1/2
136022	10X10X10 TEE GALV 24GA	10	10	10	15	2 1/2	2 1/2
136024	12X12X12 TEE GALV 24GA	12	12	12	17	2 1/8	2 1/2
136026	14X14X14 TEE GALV 24GA	13 15/16	13 15/16	13 15/16	18	2 1/2	2 1/2
136028	16X16X16 TEE GALV 24GA	15 15/16	15 15/16	15 15/16	22	3	3
136030	18X18X18 TEE GALV 24GA	17 7/8	17 7/8	17 7/8	24	3 1/4	3

ECCO Manufacturing
a division of **ECCO HEATING PRODUCTS LTD.**

www.eccomfg.com

Date: March 2, 2009

Project:

Engineer:

Contractor: