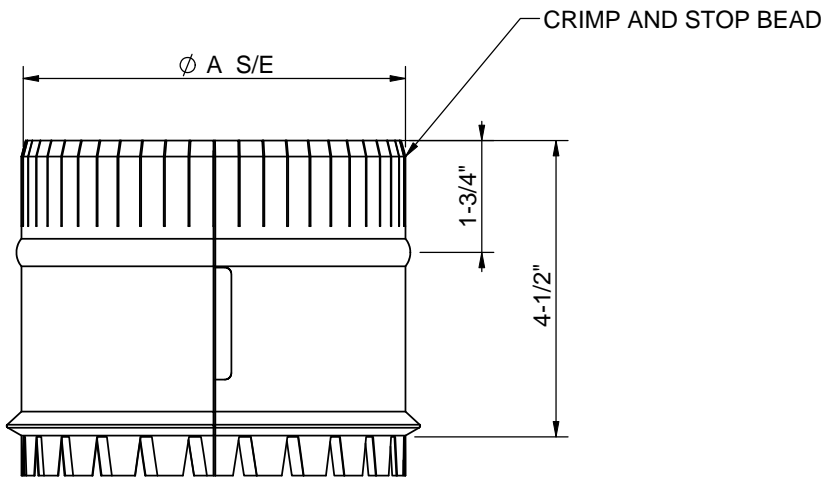
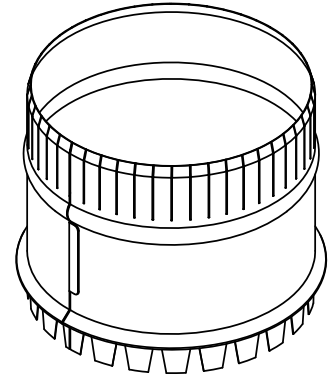
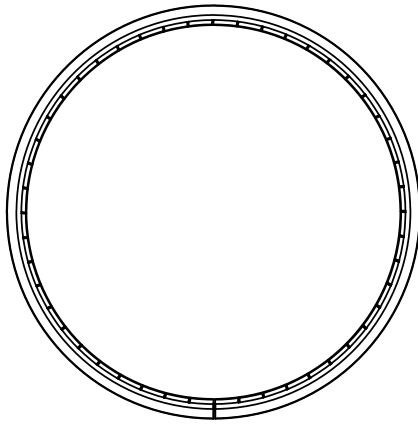




TAPIN COLLARS - SMALL END



MATERIAL: 28GA GALVANIZED

SPECIFICATIONS

Pg. 1 of 2

STOCK #	DESCRIPTION	DIMENSIONS (in)					
		A	B	C	D	E	F
133300	3" TAPIN COLLAR - SMALL END	3					
133400	4" TAPIN COLLAR - SMALL END	4					
133500	5" TAPIN COLLAR - SMALL END	5					
133600	6" TAPIN COLLAR - SMALL END	6					
133700	7" TAPIN COLLAR - SMALL END	7					
133800	8" TAPIN COLLAR - SMALL END	8					
133900	9" TAPIN COLLAR - SMALL END	9					
134000	10" TAPIN COLLAR - SMALL END	10					
134120	12" TAPIN COLLAR - SMALL END	12					
134140	14" TAPIN COLLAR - SMALL END	13-15/16					

ECCO Manufacturing a division of ECCO HEATING PRODUCTS LTD.	Project:
	Engineer:
www.eccomfg.com	Date: December 11, 2008 Contractor:

