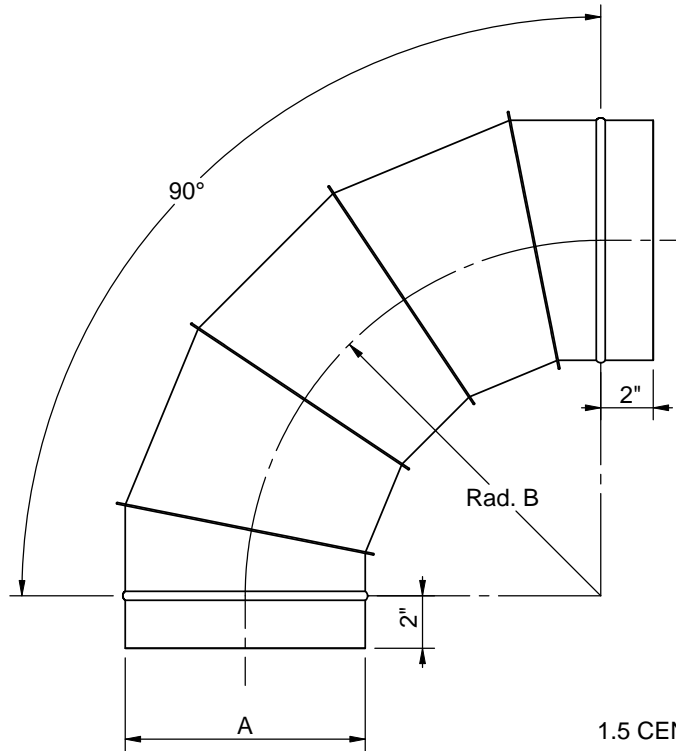
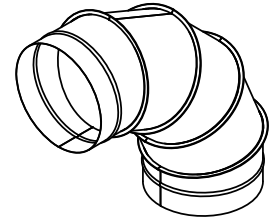




STANDING SEAM ELBOWS 90 1.5 CL



1.5 CENTERLINE = RADIUS = DIAMETER x 1.5

MATERIAL: GALVANIZED - SEE DESCRIPTION FOR GAUGE

SPECIFICATIONS

Pg. 1 of 2

STOCK #	DESCRIPTION	DIMENSIONS (in)					
		A	B	C	D	E	F
547905	5X90 STANDING SEAM 26GA 1.5CL	5	7 1/2				
547906	6X90 STANDING SEAM 26GA 1.5CL	6	9				
547907	7X90 STANDING SEAM 26GA 1.5CL	7	10 1/2				
547908	8X90 STANDING SEAM 26GA 1.5CL	8	12				
547909	9X90 STANDING SEAM 26GA 1.5CL	9	13 1/2				
547910	10X90 STANDING SEAM 26GA 1.5CL	10	15				
547912	12X90 STANDING SEAM 26GA 1.5CL	12	18				
547914	14X90 STANDING SEAM 26GA 1.5CL	13-15/16	21				
547916	16X90 STANDING SEAM 26GA 1.5CL	15-15/16	24				
547918	18X90 STANDING SEAM 26GA 1.5CL	17-7/8	27				

ECCO Manufacturing
a division of **ECCO HEATING PRODUCTS LTD.**

www.eccomfg.com

Date: December 7, 2007

Project:

Engineer:

Contractor:

