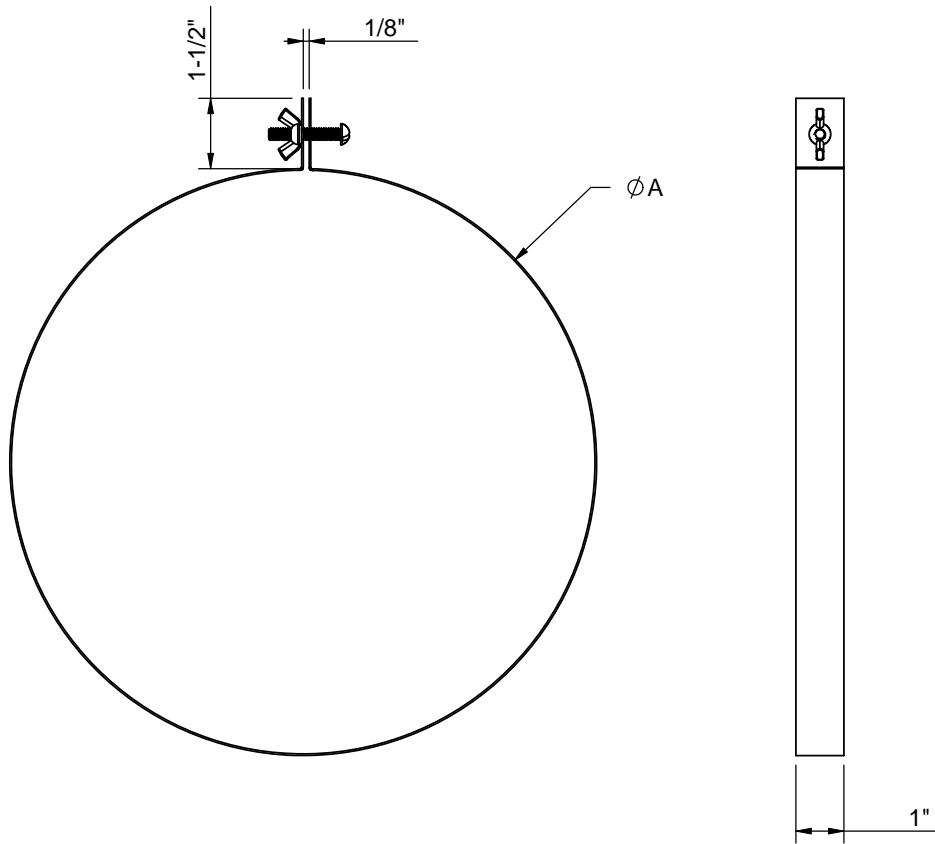
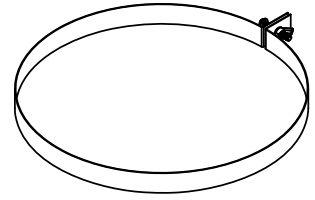




# SPIRAL DUCT HANGER



MATERIAL: 22 GA GALVANIZED

## SPECIFICATIONS

Pg. 1 of 2

STOCK #	DESCRIPTION	DIMENSIONS (in)					
		A					
430104	4" SPIRALHANGER	4 3/16"					
430105	5" SPIRALHANGER	5 3/16"					
430106	6" SPIRALHANGER	6 3/16"					
430107	7" SPIRALHANGER	7 3/16"					
430108	8" SPIRALHANGER	8 3/16"					
430109	9" SPIRALHANGER	9 3/16"					
430110	10" SPIRALHANGER	10 3/16"					
430112	12" SPIRALHANGER	12 3/16"					
430114	14" SPIRALHANGER	14 1/8"					
430116	16" SPIRALHANGER	16 1/16"					

<b>ECCO Manufacturing</b> a division of <b>ECCO HEATING PRODUCTS LTD.</b>		Project:
		Engineer:
www.eccomfg.com	Date: AUGUST 11, 2008	Contractor:



# SPIRAL DUCT HANGER

## SPECIFICATIONS

*Pg. 2 of 2*

STOCK #	DESCRIPTION	DIMENSIONS (in)					
		A					
430118	18" SPIRALHANGER	18 1/16"					
430120	20" SPIRALHANGER	20 1/16"					

<b>ECCO Manufacturing</b> a division of <b>ECCO HEATING PRODUCTS LTD.</b>	Project:
	Engineer:
	Contractor:
www.eccomfg.com	Date: January 1, 2006