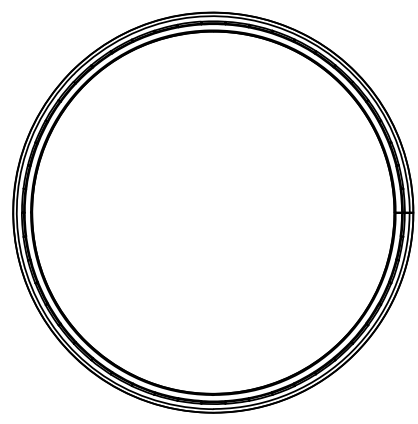
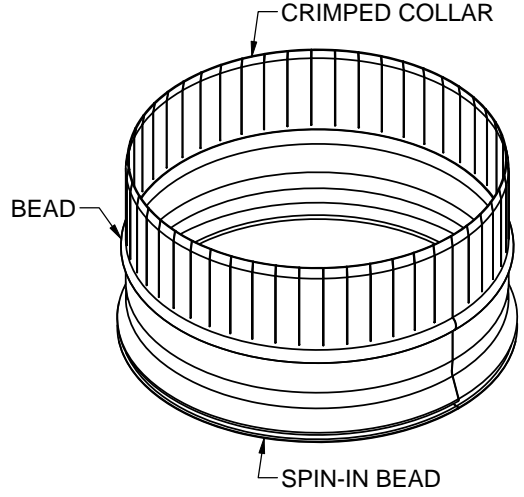
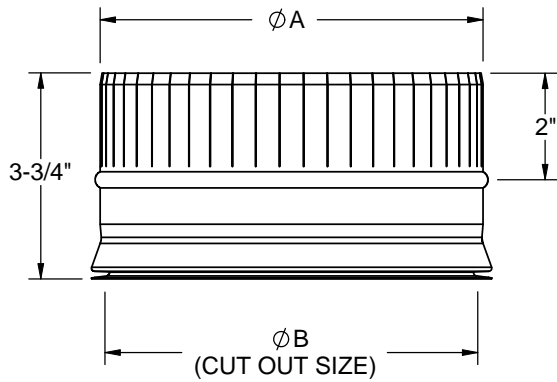




SPIN-IN COLLAR



SPECIFICATIONS

Pg. 1 of 2

STOCK #	DESCRIPTION	DIMENSIONS (in)					
		A	B	C	D	E	F
502604	4" SPIN-IN COLLAR 26GA	4	3-3/4				
502605	5" SPIN-IN COLLAR 26GA	5	4-3/4				
502606	6" SPIN-IN COLLAR 26GA	6	5-3/4				
502607	7" SPIN-IN COLLAR 26GA	7	6-3/4				
502608	8" SPIN-IN COLLAR 26GA	8	7-3/4				
502609	9" SPIN-IN COLLAR 26GA	9	8-3/4				
502610	10" SPIN-IN COLLAR 26GA	10	9-3/4				
502612	12" SPIN-IN COLLAR 26GA	12	11-3/4				
502614	14" SPIN-IN COLLAR 26GA	13-15/16	13-9/16				
502616	16" SPIN-IN COLLAR 26GA	15-15/16	15-9/16				

ECCO Manufacturing a division of ECCO HEATING PRODUCTS LTD.	Project:
	Engineer:
www.eccomfg.com	Date: September 25, 2008
Contractor:	



SPIN-IN COLLAR 26GA

SPECIFICATIONS

Pg. 2 of 2

STOCK #	DESCRIPTION	DIMENSIONS (in)					
		A	B	C	D	E	F
502618	18" SPIN-IN COLLAR 26GA	17-7/8	17-1/2				
502620	20" SPIN-IN COLLAR 24GA	19-7/8	19-1/2				

ECCO Manufacturing
a division of **ECCO HEATING PRODUCTS LTD.**

www.eccomfg.com Date: September 25, 2008

Project:

Engineer:

Contractor: