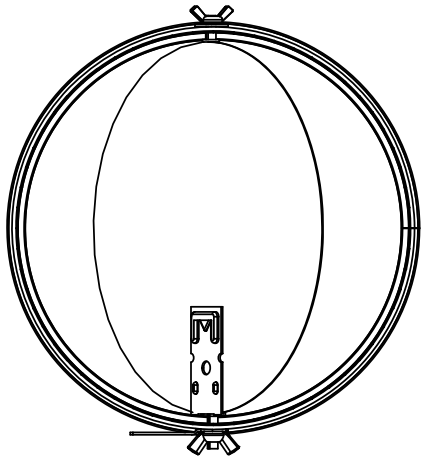
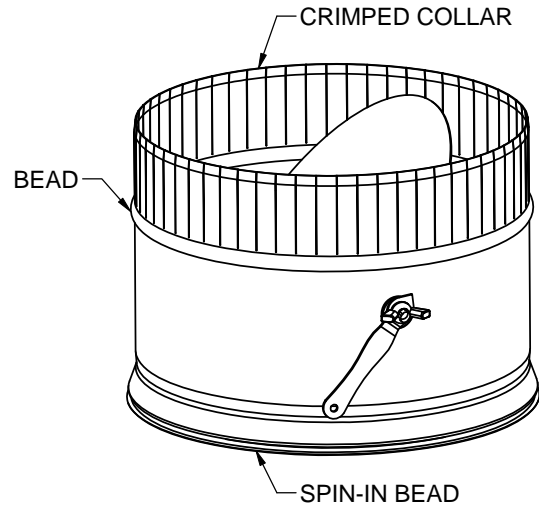
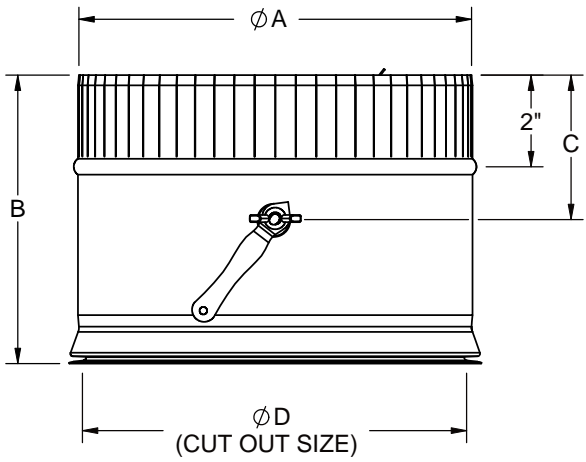




SPIN-IN COLLAR WITH DAMPER 4-12



SPECIFICATIONS

Pg. 1 of 1

STOCK #	DESCRIPTION	DIMENSIONS (in)					
		A	B	C	D	E	F
502744	4" SPIN-IN C/W DAMPER 26GA	4	6	3-1/4	3-3/4		
502745	5" SPIN-IN C/W DAMPER 26GA	5	6	3-1/4	4-3/4		
502746	6" SPIN-IN C/W DAMPER 26GA	6	6	3-1/4	5-3/4		
502747	7" SPIN-IN C/W DAMPER 26GA	7	6	3-1/4	6-3/4		
502748	8" SPIN-IN C/W DAMPER 26GA	8	7	3-3/4	7-3/4		
502749	9" SPIN-IN C/W DAMPER 26GA	9	8	4-1/4	8-3/4		
502750	10" SPIN-IN C/W DAMPER 26GA	10	9	4-3/4	9-3/4		
502752	12" SPIN-IN C/W DAMPER 26GA	12	11	5-3/4	11-3/4		

ECCO Manufacturing a division of ECCO HEATING PRODUCTS LTD.	Project:
	Engineer:
www.eccomfg.com	Date: September 25, 2008 Contractor: