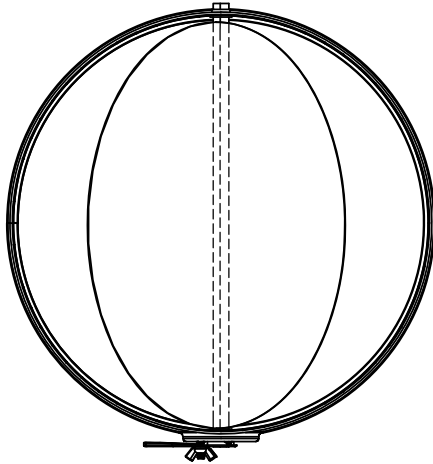
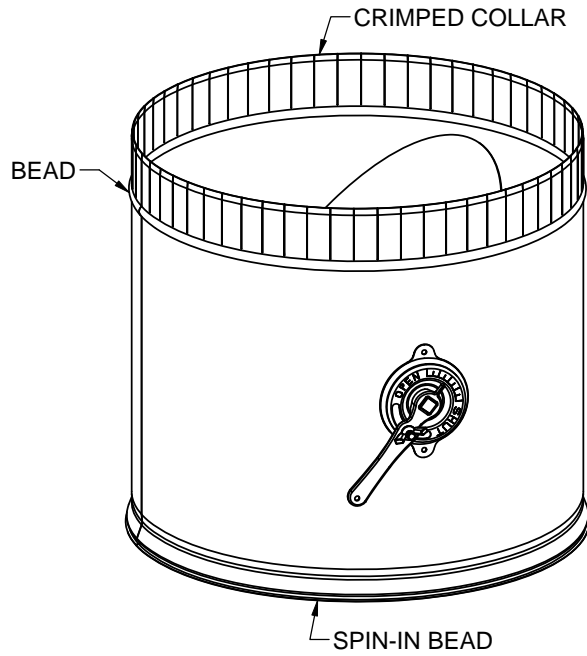
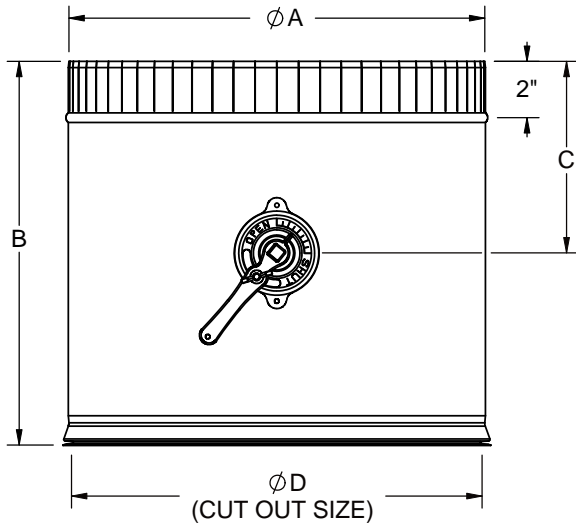




SPIN-IN COLLAR WITH DAMPER 14-20



NOTE: THE DAMPER INCLUDES A 3/8" CONTINUOUS ROD

MATERIAL: GALVANIZED
SPECIFICATIONS

Pg. 1 of 1

STOCK #	DESCRIPTION	DIMENSIONS (in)					
		A	B	C	D	E	F
502734	14" SPIN-IN C/W COMM DAMPER 26GA	13-15/16	13	6-1/2	13-9/16		
502736	16" SPIN-IN C/W COMM DAMPER 26GA	15-15/16	15	7-1/2	15-9/16		
502738	18" SPIN-IN C/W COMM DAMPER 26GA	17-7/8	17	8-1/2	17-1/2		
502740	20" SPIN-IN C/W COMM DAMPER 24GA	19-7/8	19	9-1/2	19-1/2		

ECCO Manufacturing a division of ECCO HEATING PRODUCTS LTD.	Project:
	Engineer:
www.eccomfg.com	Date: December 01, 2008
	Contractor: