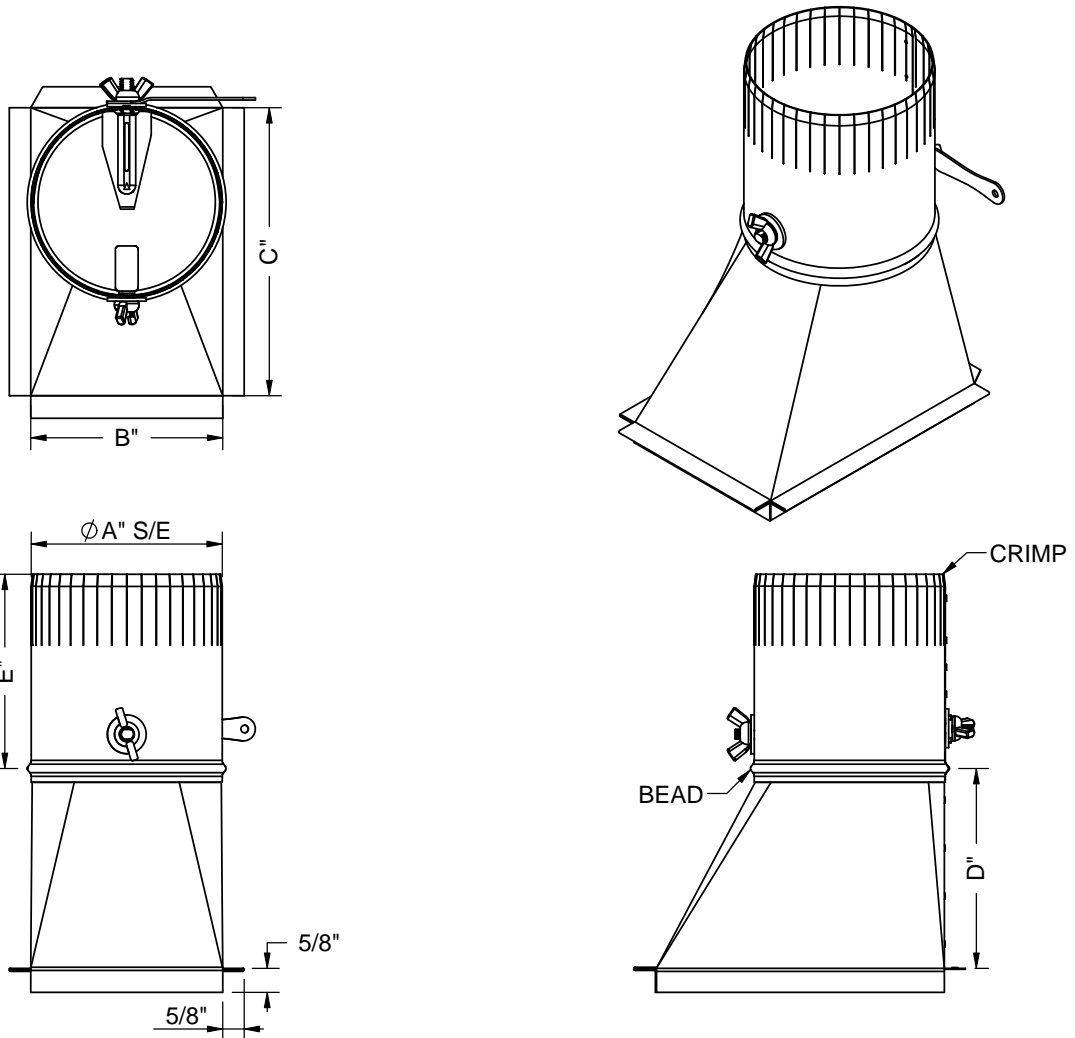




# SIDE TAKEOFF WITH DAMPER



MATERIAL: GALVANIZED

## SPECIFICATIONS

Pg. 1 of 1

STOCK #	DESCRIPTION	DIMENSIONS (in)					
		A	B	C	D	E	F
502485	5" STO 26 GA C/W DAMPER	5	5	7	4	4	
502486	6" STO 26 GA C/W DAMPER	6	6	8	4	4	
502487	7" STO 26 GA C/W DAMPER	7	7	9	4	4	
502488	8" STO 26 GA C/W DAMPER	8	8	10	4	4	
502490	10" STO 26 GA C/W DAMPER	10	10	12	6	5	
502492	12" STO 26 GA C/W DAMPER	12	12	14	6	6	

**ECCO Manufacturing**  
a division of **ECCO HEATING PRODUCTS LTD.**

www.eccomfg.com

Date: FEBRUARY 2009

Project:

Engineer:

Contractor: