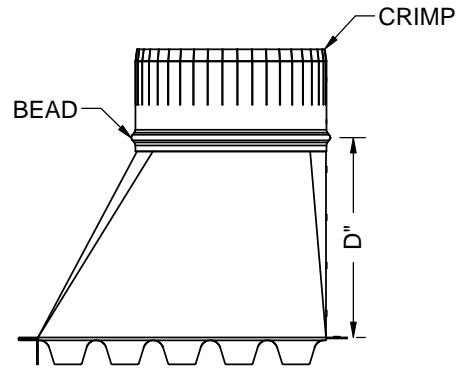
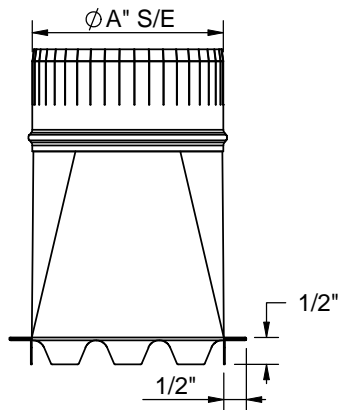
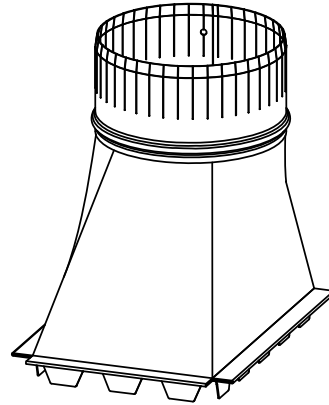
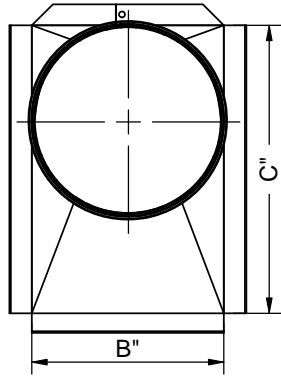




SIDE TAKE OFF RESIDENTIAL



MATERIAL: GALVANIZED

*NOTE: DOVETAIL TABS AVAILABLE ONLY FOR SIZES 4" - 8"

SPECIFICATIONS

Pg. 1 of 1

STOCK #	DESCRIPTION	DIMENSIONS (in)					
		A	B	C	D	E	F
061400	4" SIDE TAKE OFF	4	4	6	3 1/4		
061500	5" SIDE TAKE OFF	5	5	7	3 1/2		
061600	6" SIDE TAKE OFF	6	6	7	2 3/4		
061700	7" SIDE TAKE OFF	7	8	8	4 1/4		
061800	8" SIDE TAKE OFF	8	8	10	4 1/8		
061810	10" SIDE TAKE OFF	10	10	12	6		
061812	12" SIDE TAKE OFF	12	12	14	6		
061814	14" SIDE TAKE OFF	13 15/16	14	16	6		

ECCO Manufacturing a division of ECCO HEATING PRODUCTS LTD.		Project:	
		Engineer:	
www.eccomfg.com	Date: FEBRUARY 2009	Contractor:	