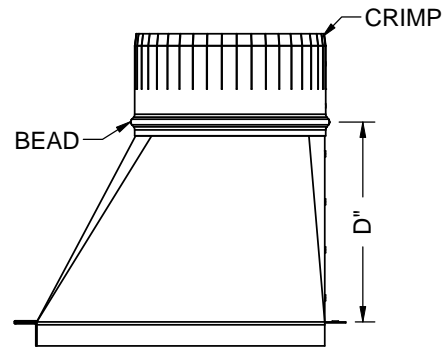
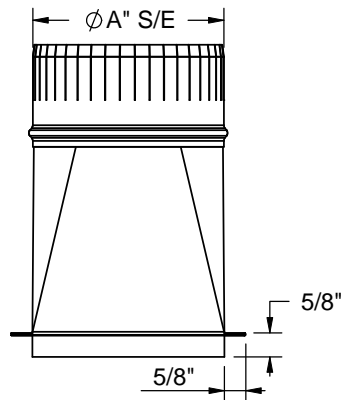
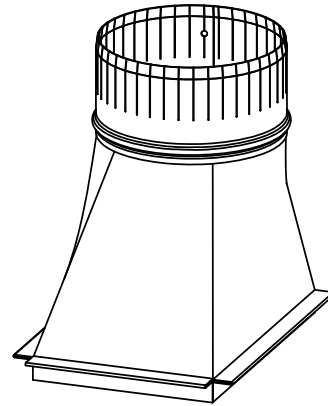
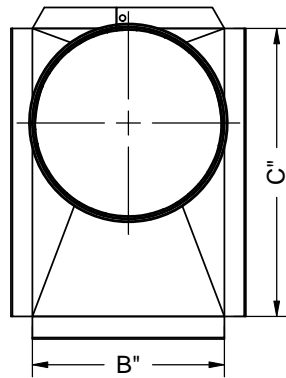




# SIDE TAKEOFF COMMERCIAL



MATERIAL: GALVANIZED

## SPECIFICATIONS

Pg. 1 of 1

STOCK #	DESCRIPTION	DIMENSIONS (in)					
		A	B	C	D	E	F
500426	4" SIDE TAKEOFF 26 GA	4	4	6	4		
500526	5" SIDE TAKEOFF 26 GA	5	5	7	4		
500626	6" SIDE TAKEOFF 26 GA	6	6	8	4		
500726	7" SIDE TAKEOFF 26 GA	7	7	9	4		
500826	8" SIDE TAKEOFF 26 GA	8	8	10	4		
500926	9" SIDE TAKEOFF 26 GA	9	9	11	4		
501026	10" SIDE TAKEOFF 26 GA	10	10	12	6		
501226	12" SIDE TAKEOFF 26 GA	12	12	14	6		
501424	14" SIDE TAKEOFF 24 GA	13 <sup>15</sup> / <sub>16</sub>	14	16	6		
501624	16" SIDE TAKEOFF 24 GA	15 <sup>15</sup> / <sub>16</sub>	16	19	8		
501822	18" SIDE TAKEOFF 22 GA	17 <sup>7</sup> / <sub>8</sub>	18	21	8		

**ECCO Manufacturing**  
a division of **ECCO HEATING PRODUCTS LTD.**

www.eccomfg.com

Date: FEBRUARY 2009

Project:

Engineer:

Contractor: