

**METU<sup>®</sup>**  
**STREIMER**

for better ductwork

Phone: 503-288-9393

Fax: 503-288-3327

Job Number

ATTN: \_\_\_\_\_ Page \_\_\_\_\_ Of \_\_\_\_\_

Cost Code:

Detailer:

Sheet No.

Project Manager: **MAB**

Job Name:

Job Phone No.:

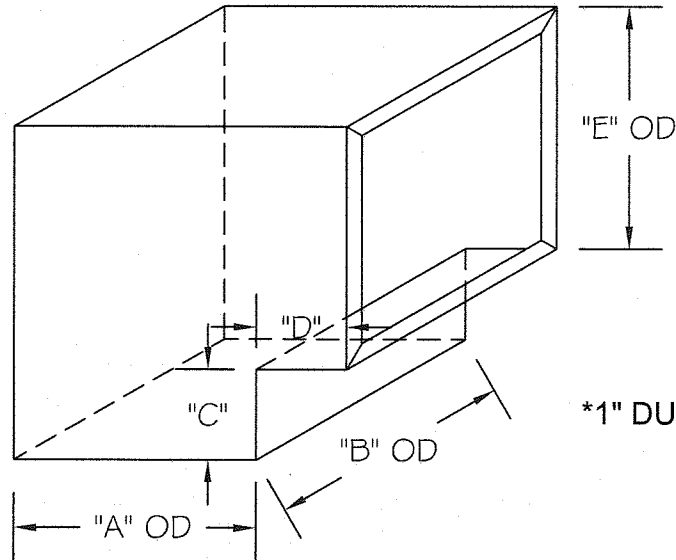
Date ordered:

Date Wanted:

Ship / Delivery / Will Call

Shop Use Only: Shipping Area

QUALITY CONTROL  
Checked by:



\*1" DUCTBOARD BOOT

PART #	QTY	A" OD	B" OD	C"	D"	E" OD
		12	24	6	6	12

SHOP OFFICE USE ONLY

HVAC

QUALITY CONTROL

W.S.# \_\_\_\_\_

WELDING SHOP

CHECKED BY: \_\_\_\_\_

DATE \_\_\_\_\_

SHIPPING DEPT.

SHIPPING AREA \_\_\_\_\_

SIGNED \_\_\_\_\_

**METU<sup>®</sup>**  
**STREIMER**  
 for better ductwork

Phone: 503-288-9393  
 Fax: 503-288-3327

Job Number

ATTN: \_\_\_\_\_ Page \_\_\_\_\_ Of \_\_\_\_\_

Cost Code:

Detailer: \_\_\_\_\_

Sheet No.

Project Manager: **MAB**

Job Name:

Job Phone No.:

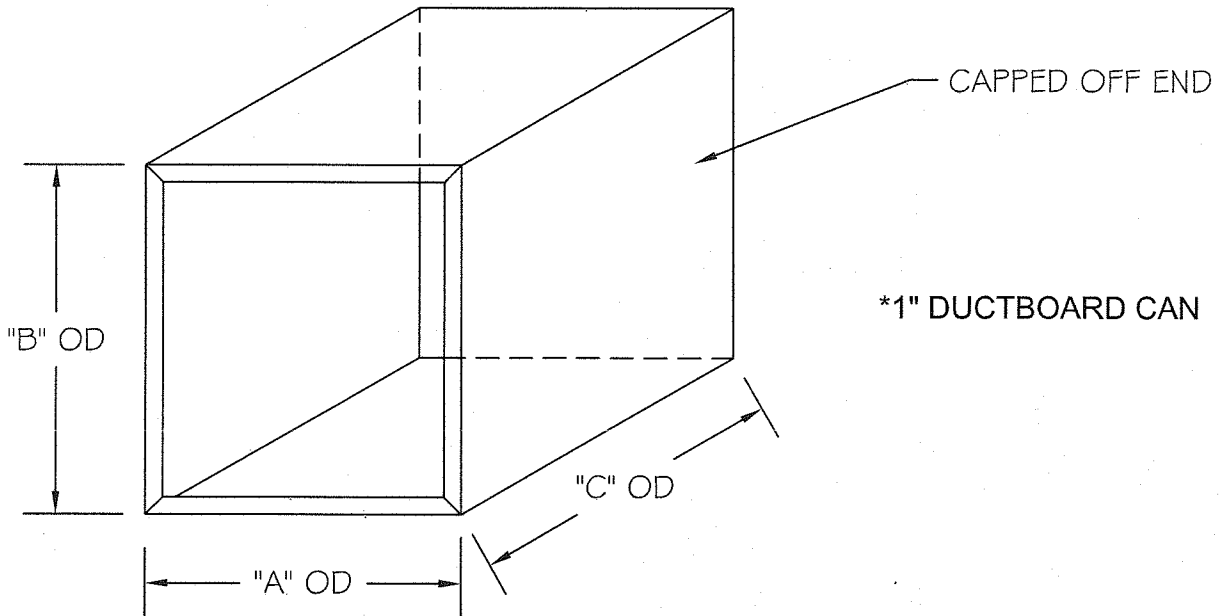
Date ordered:

Date Wanted:

Ship / Delivery / Will Call

Shop Use Only: Shipping Area

QUALITY CONTROL  
 Checked by: \_\_\_\_\_



PART #	QTY	A" OD	B" OD	C" OD
		24	24	22

**SHOP OFFICE USE ONLY**

HVAC   
 WELDING SHOP   
 SHIPPING DEPT.

QUALITY CONTROL  
 CHECKED BY: \_\_\_\_\_  
 SHIPPING AREA \_\_\_\_\_

W.S.# \_\_\_\_\_  
 DATE \_\_\_\_\_  
 SIGNED \_\_\_\_\_

**METU  
STREIMER**  
for better ductwork

Phone: 503-288-9393  
Fax: 503-288-3327

Job Number

ATTN: \_\_\_\_\_ Page \_\_\_\_\_ Of \_\_\_\_\_

Cost Code:

Detailer: \_\_\_\_\_

Sheet No.

Project Manager: **MAB**

Job Name:

Job Phone No.:

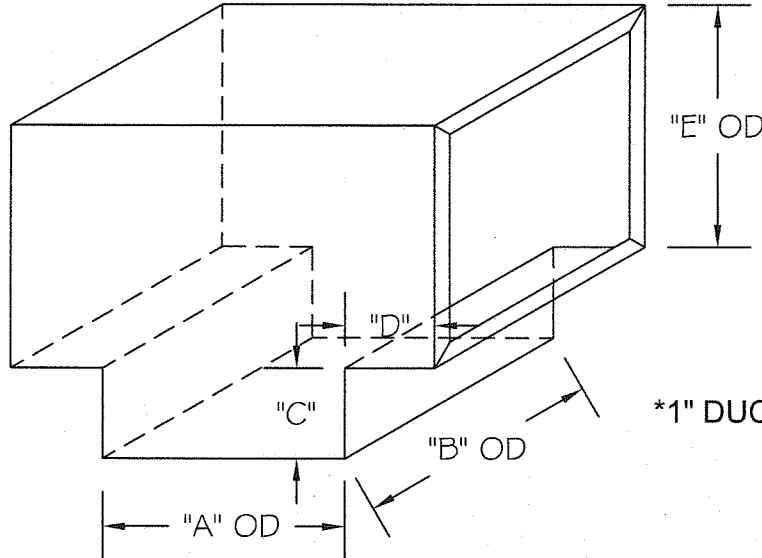
Date ordered:

Date Wanted:

Ship / Delivery / Will Call

Shop Use Only: Shipping Area

QUALITY CONTROL  
Checked by: \_\_\_\_\_



\*1" DUCTBOARD TEE

PART #	QTY	A" OD	B" OD	C"	D"	E" OD
		24	24	6	6	12

SHOP OFFICE USE ONLY

HVAC

QUALITY CONTROL

W.S.# \_\_\_\_\_

WELDING SHOP

CHECKED BY: \_\_\_\_\_

DATE \_\_\_\_\_

SHIPPING DEPT.

SHIPPING AREA \_\_\_\_\_

SIGNED \_\_\_\_\_